

KOMFORT PARTITIONS & CEILINGS

Komfire 75, Kameo 75 & Mirage 75mm performance partition systems



Komfire 75 & Kameo 75

There are many facets to the characters of Komfire and Kameo 75. Similar in composition, Komfire offers the designer a distinct angular style, whilst Kameo incorporates the softer lines of radiused corners. When it comes to safety issues, both partitioning systems set the standard with their tremendous acoustic performance and fire protection.

Established, attractive and versatile, Komfire and Kameo 75 may be introduced as the solution to almost any office interior requirement.

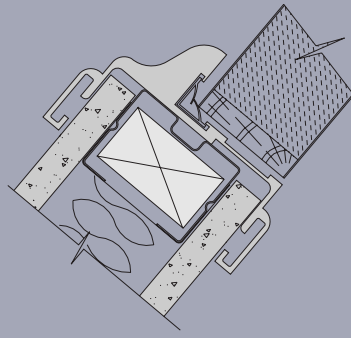
Banded glazed Kameo 75
with film manifestation



Double glazed Kameo 75
with both single and
double doors

Both Komfire and Kameo 75 are of steel stud and plasterboard construction surrounded by an aluminium framework. This framework, together with the finishing trims, may be sprayed in any BS or RAL colour to complement each design.

It is even possible to produce a continuity of style and colour shade throughout a project by attaching the skirting, in either aluminium or plastic secret fix, to the building core walls.



Kameo 75 door frame

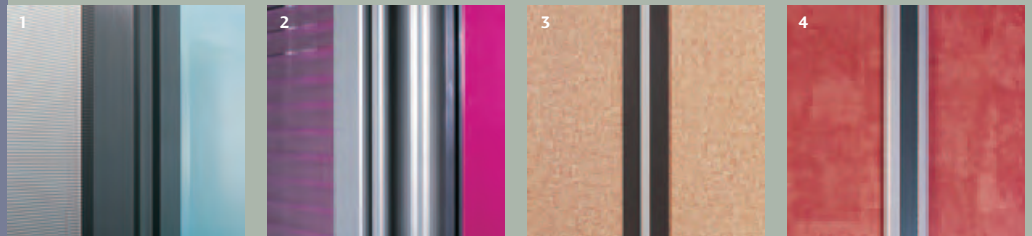


Combination of solid
and door head height
glazed modules with
applied manifestation



2 Komfire 75, Kameo 75 & Mirage Komfort Workspace

- 1 Komfire door frame
- 2 Kameo door frame
- 3 Top Hat cover trim with plastic insert
- 4 Kameo cover trim

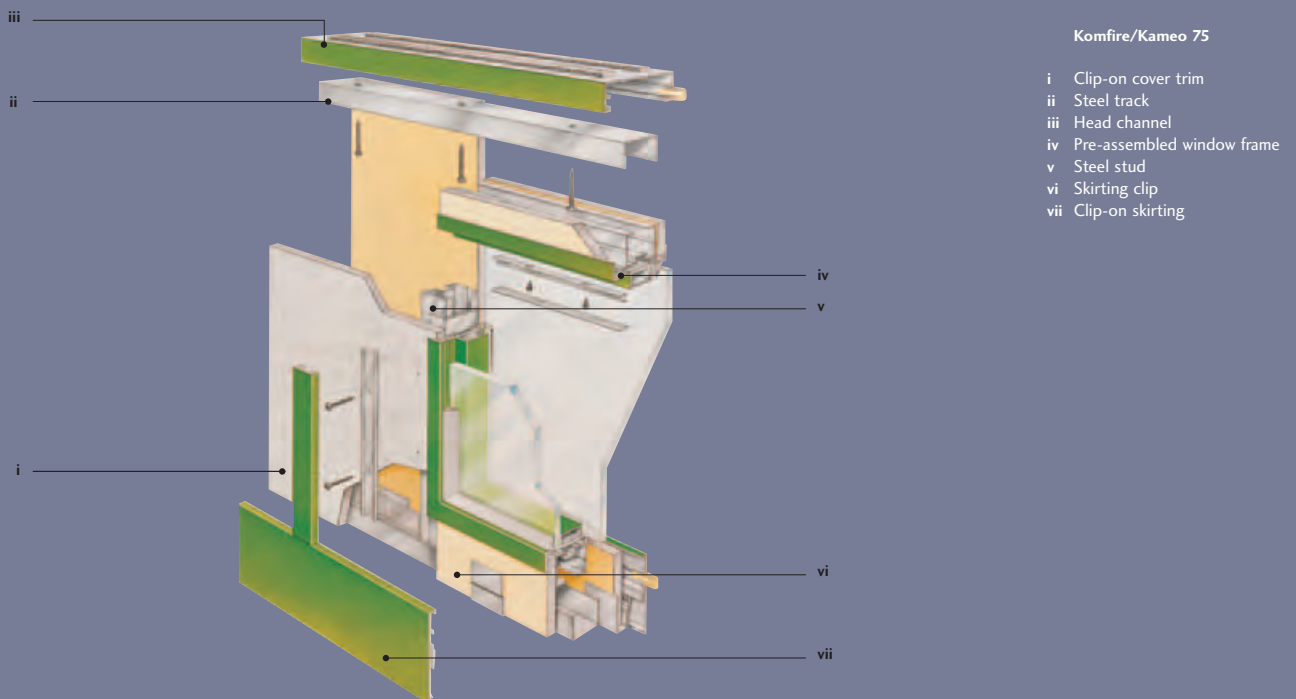


Komfire/Kameo 75

Fire BS476: Part 22			Sound dB (Rw) to BS EN ISO 140-3			Strength
Solid & Glazed	Doorset	Fire Glass	Solid	Single Glazed	Double Glazed	Duty Level to BS5234
30 mins	FD30	3.24m ²	43	36	40	Medium at 2.7m high

Komfire 100

Fire BS476: Part 22			Sound dB (Rw) to BS EN ISO 140-3			Strength
Solid & Glazed	Doorset	Fire Glass	Solid	Single Glazed	Double Glazed	Duty Level to BS5234
60 mins	FD60	3.43m ²	52 Soundbloc	36	40	Severe at 2.7m high

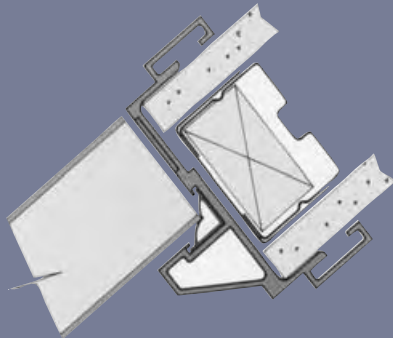


The atrium effect is created using a double lift of Komfire 100

As previously mentioned, performance is a key benefit of both partitioning systems. The current test ratings for fire and sound are 30 minutes and 43dB (Rw) respectively. For the performance plus factor, however, Komfire is available as a 100mm thick double skinned system. In this form it provides 1 hour fire resistance in both solid and glazed modules, together with an acoustic attainment of up to 52dB (Rw).

Without doubt their exceptional functionality has made Komfire and Kameo the most popular systems in the UK today.

Komfire 75 door frame



Komfire doorframe surrounding full height glass door

Full height silicone jointed glazing with applied film



Mirage

Characterised by its curvaceous corners and flowing lines, Mirage brings a distinct personality to working space. Mirage is repeatedly chosen both for its good looks and its exceptional practicality. Features including total relocatability, strong sound and fire performance and speed of installation complement its aesthetic appeal.

Embraced by designers for its sophisticated product detailing, Mirage creates stimulating office environments to surpass the most demanding of clients' aspirations.

Mirage is a gravity hung panel system which utilises pre-decorated plasterboards for speedy on-site construction.

The system has been cleverly designed to use pre-punched steel stud and twistlock transoms which do not require any fixings. The panels are simply hung using a special clip detail to provide tight joints yet allow easy removal if required.

**Double glazed Mirage
with integral blinds along
the corridor run**

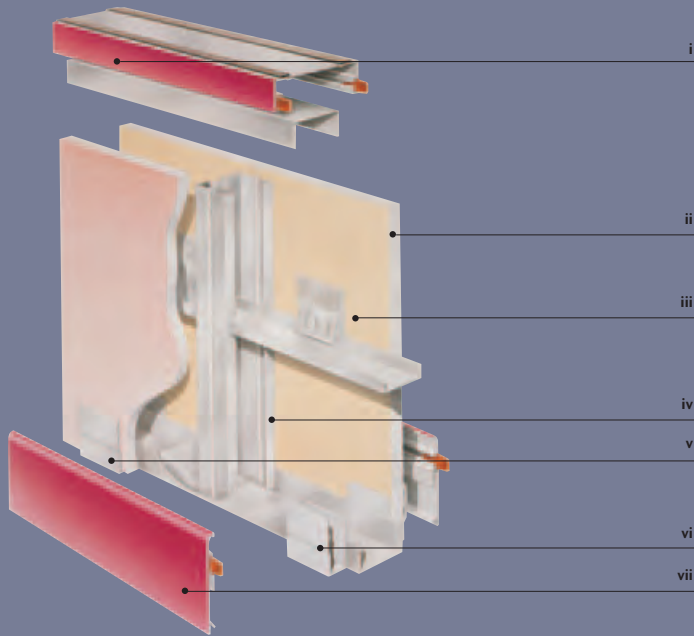


Alternate solid and single centre glazed panels create this corporate gym area

To ease on-site construction, glazing frames are factory assembled.

Mirage offers full relocatability, 30 minutes fire resistance and achieves 45dB (Rw) acoustic performance in its solid form.

The radiused aluminium framework may be sprayed in any BS or RAL colour to create dramatic or subtle effects. This together with its variety of glazed modules, door options and finishes, ensures that Mirage is always a popular choice.



Mirage

- i Head channel
- ii Solid panel
- iii Plasterboard clip
- iv Steel stud
- v Skirting clip
- vi Steel floor track
- vii Clip-on skirting



Bevelled edge 'V' board detail

Mirage						
Fire BS476: Part 22			Sound dB (Rw) to BS EN ISO 140-3			Strength
Solid & Glazed	Doorset	Fire Glass	Solid	Single Glazed	Double Glazed	Duty Level to BS5234
30 mins	FD30	3.24m²	46	36	40	Medium at 2.7m high

Faceted double glazed Mirage with full height glass double doors



abstract

office interiors

Abstract Office Interiors Limited

**3 Forest Industrial Park
Forest Road
Hainault
Essex
IG6 3HL**

**Tel 020 8501 6633
Fax 020 8501 6634**

Email sales@abstractinteriors.co.uk