

KOMFORT PARTITIONS & CEILINGS

600 Series & Kameo 50 50mm partition systems



600 Series & Kameo 50

The distinguishing feature between these two popular systems is the shape of the profiles. Whilst 600 Series has a distinct angular appearance, Kameo 50 provides designers with the gentler alternative of radiused corners.

Although uncomplicated in their installation, many diverse interior schemes may be produced through considered choice of framework colour and panel decoration. From vibrant to pastel, or metallic to matt, design opportunities abound.

600 Series glazed modules using 'O' post to provide faceted option



- Aluminium framed construction. 50mm nominal thickness
- Provides up to Class 'O' spread of flame in accordance with BS476: Part 7
- Sound insulation to BS5821 with solid panels producing 30dB (Rw), single glazed 35dB (Rw) and double glazed 40dB (Rw)
- Aluminium framework is available in a choice of colours from the BS4800 and RAL ranges
- Glazing options include single centre, single offset and double glazed
- Choice of both plastic and aluminum glazing beads
- Visual privacy provided by 15mm or 25mm Venetian blinds with integral controls
- Kwikfix factory manufactured doors and door frames to ensure consistent high quality of product
- Choice of square and faceted corner posts
- Machine decorated panels result in speedy installation and no unsightly adhesive on the partition framework
- Extensive stocks for fast delivery anywhere in UK or overseas
- Both 600 Series and Kameo 50 are designed to be used with Komfort's other systems where a mixture of performance and non-performance is required

Fire BS476: Part 22			Sound dB (Rw) to BS EN ISO 140-3			Strength
Solid & Glazed	Doorset	Fire Glass	Solid	Single Glazed	Double Glazed	Duty Level to BS5234
N/A	Nil	Nil	30	35*	40**	Light

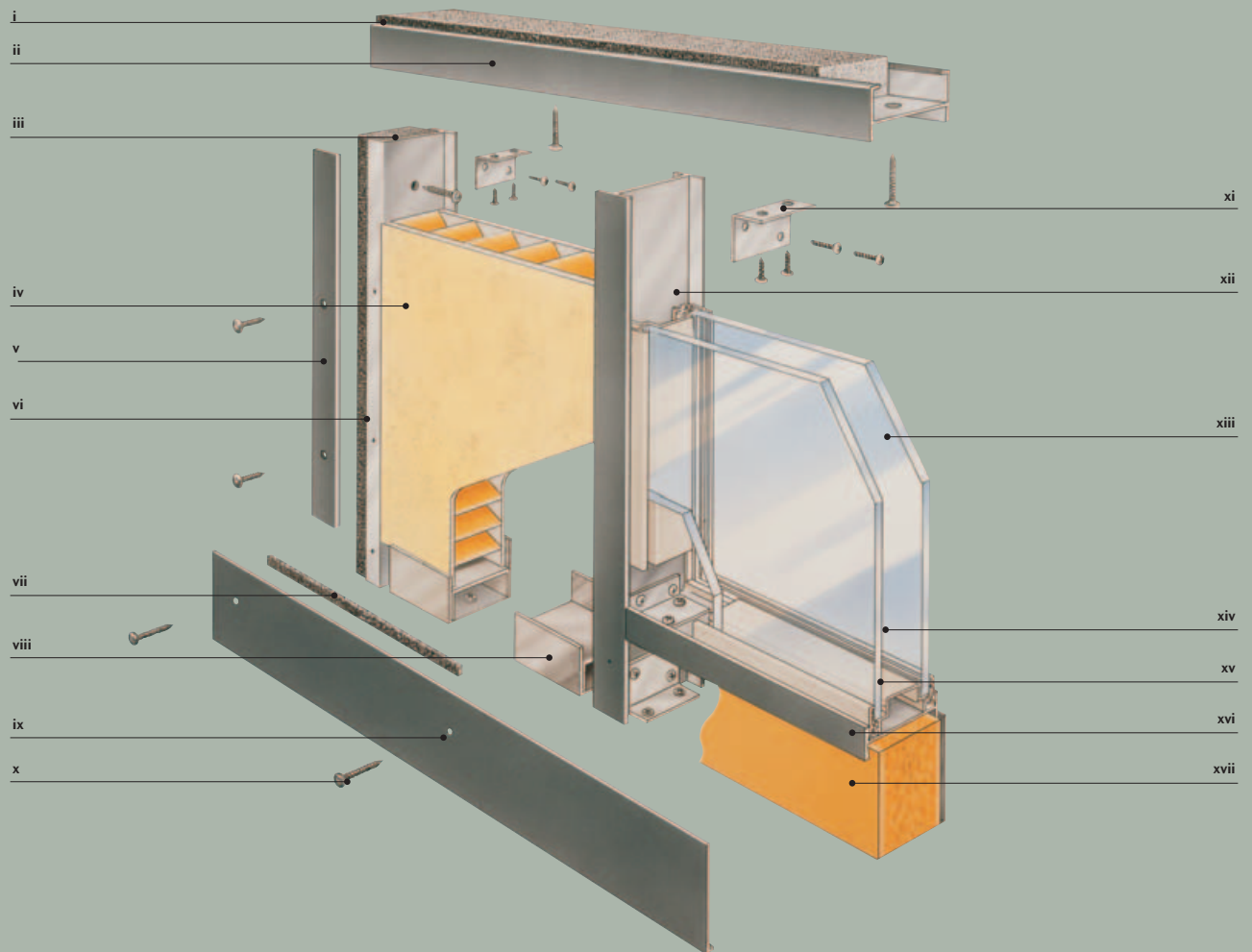
* Using 6.8 Stadip Silence Laminated safety glass

** Using 1 x 6.4mm laminated and 1 x 6.8mm Stadip Silence safety glass

A combination of full height double glazed and solid Kameo 50 modules. The use of 135° corner posts, which integrate with the door frame, produces a soft line for these adjoining corridors. Entry into the office is through a standard height door with solid panel above



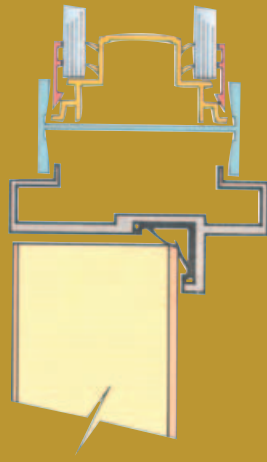
Combination of 600 Series glazed modules with Komfire 75 door frame and adjoining corners



- i Abutment foam
- ii Reversible head channel
- iii Abutment foam
- iv Kompanel honeycomb core plasterboard in four sizes with option to pre-decorate panels
- v Cover flat bar for breakdown post
- vi Abutment breakdown post
- vii Self adhesive skirting foam
- viii Steel two part panel floor shoe
- ix Face fixed 75, 100 and 152mm aluminium or 100, 152mm plastic, alternatively 98mm plastic concealed fixed skirting
- x Colour matched flangehead skirting fixing screws

- xi Aluminium fixing bracket
- xii Upright Post - Standard duty optional medium and heavy duty posts available
- xiii Double glazing cavity accepts 15mm or 25mm Venetian blinds
- xiv Standard 6mm toughened or 6.4mm laminated glass
- xv UPVC Single offset or double glazed (black, brown, grey or white) and optional aluminium or plastic centre glazed
- xvi Pre-bracketed transom for glazing and door head
- xvii Flaxcore glazing base strip for 75 or 100mm skirting

Double glazed 600 Series
to door frame



Both slimline systems have been tested for sound attenuation and achieve up to 40dB (Rw) in double glazed format. They also provide up to Class 'O' spread of flame.

Where differing performance requirements are specified, then 600 Series and Kameo 50 have been developed to work in tandem with either Komfire or Kameo 75 to provide the ideal solution.



1 600 Series with a shallow facet creating the illusion of a curve

2 600 Series banded single glazed with full height doors between stud and plasterboard walls. Venetian blinds are face hung internally to provide privacy when required

Suitable for most general office applications, 600 Series and Kameo 50 are particularly sought after to accommodate fast track projects as all components are held in stock.



Cut away cross section of Kameo 50 illustrating doorset, solid and double glazed

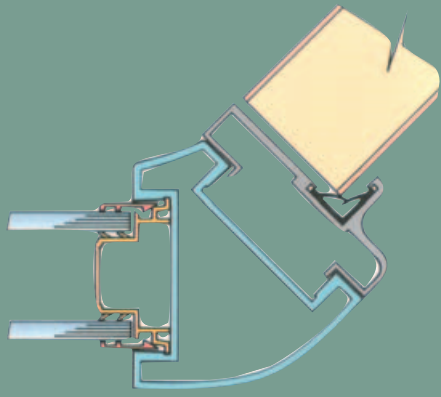


Solid and banded glazed with standard height doors

Mid glazed with integral blinds in glazing cavity



Mid-glazed with standard height doors



135° corner showing double glazed to door frame in Kameo 50



Glazed Kameo 50 with solid over panels creates a 'stepped' partition wall



A run of glazed Kameo 50 with solid over panels

abstract

office interiors

Abstract Office Interiors Limited

**3 Forest Industrial Park
Forest Road
Hainault
Essex
IG6 3HL**

**Tel 020 8501 6633
Fax 020 8501 6634**

Email sales@abstractinteriors.co.uk